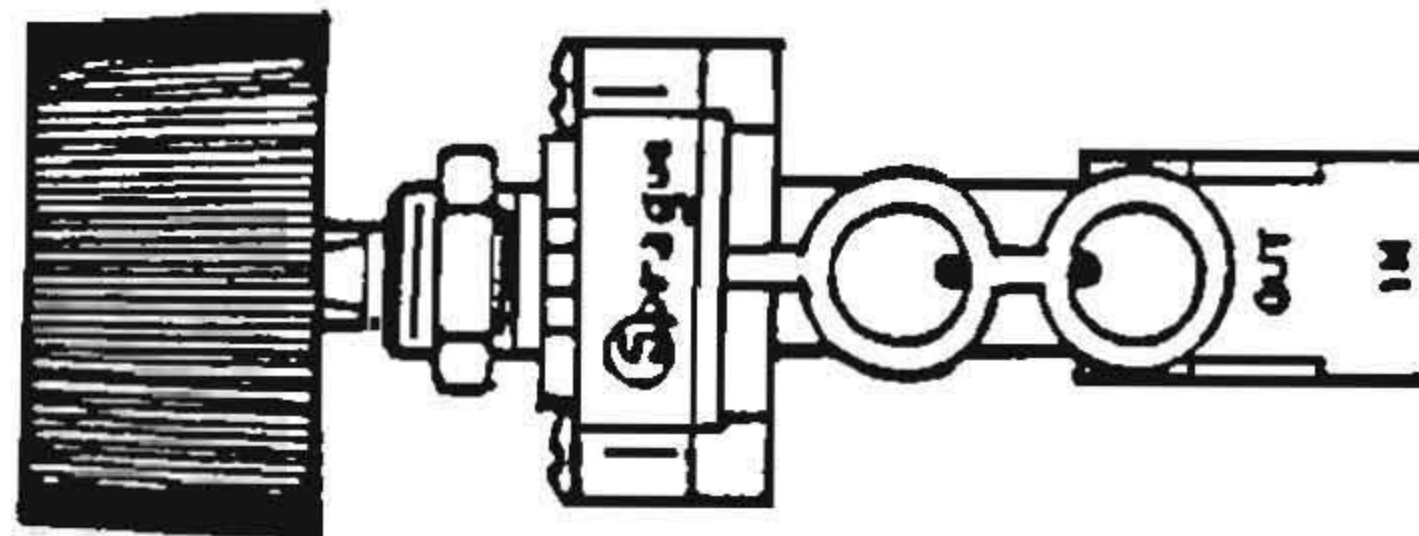
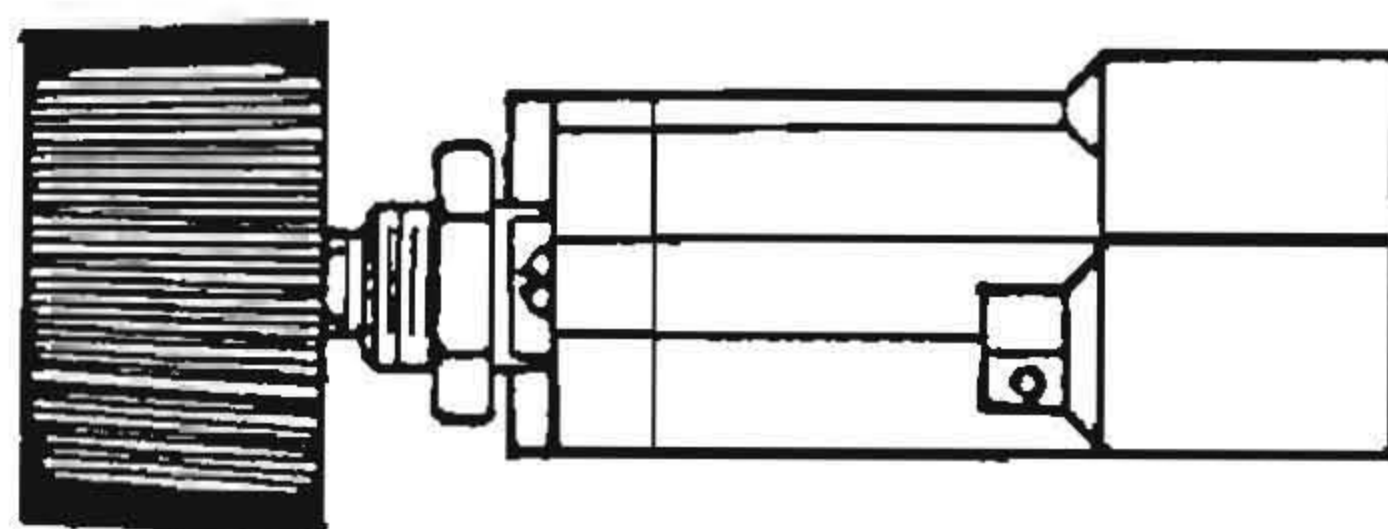


## K-SERIES CONTROL VALVES



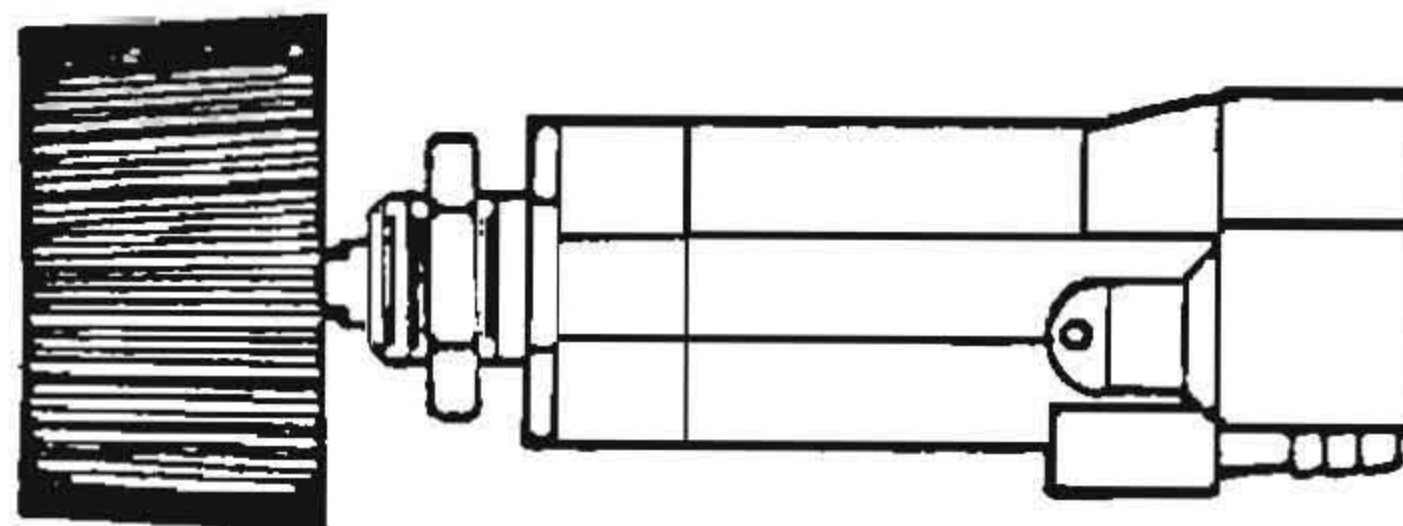
SIDE PORTED

- K-110-X 7/16" DIAMETER MOUNTING
- K-112-X 9/16" DIAMETER MOUNTING
- K-120-X (PARK UNDER PRESSURE) 7/16" DIAMETER MOUNTING
- K-122-X (PARK UNDER PRESSURE) 9/16" DIAMETER MOUNTING
- GK-4 (MODIFIED SIDE PORTED CONTROL VALVE)
- GK-8 (MODIFIED SIDE PORTED CONTROL VALVE)



END PORTED

- K-111-X 7/16" DIAMETER MOUNTING
- K-113-X 9/16" DIAMETER MOUNTING
- K-121-X (PARK UNDER PRESSURE) 7/16" DIAMETER MOUNTING
- K-123-X (PARK UNDER PRESSURE) 9/16" DIAMETER MOUNTING
- GK-1 (MODIFIED END PORTED CONTROL VALVE)
- GK-15 (MODIFIED END PORTED CONTROL VALVE W/FITTINGS)
- GK-22 (MODIFIED END PORTED CONTROL VALVE W/FITTINGS)



WASH/WIPE

- K-150-X 7/16" DIAMETER MOUNTING
- K-151-X 9/16" DIAMETER MOUNTING